



AirLink iLife Inc.

ASP215-5.0 — 5.0MP Outdoor PTZ IP Camera

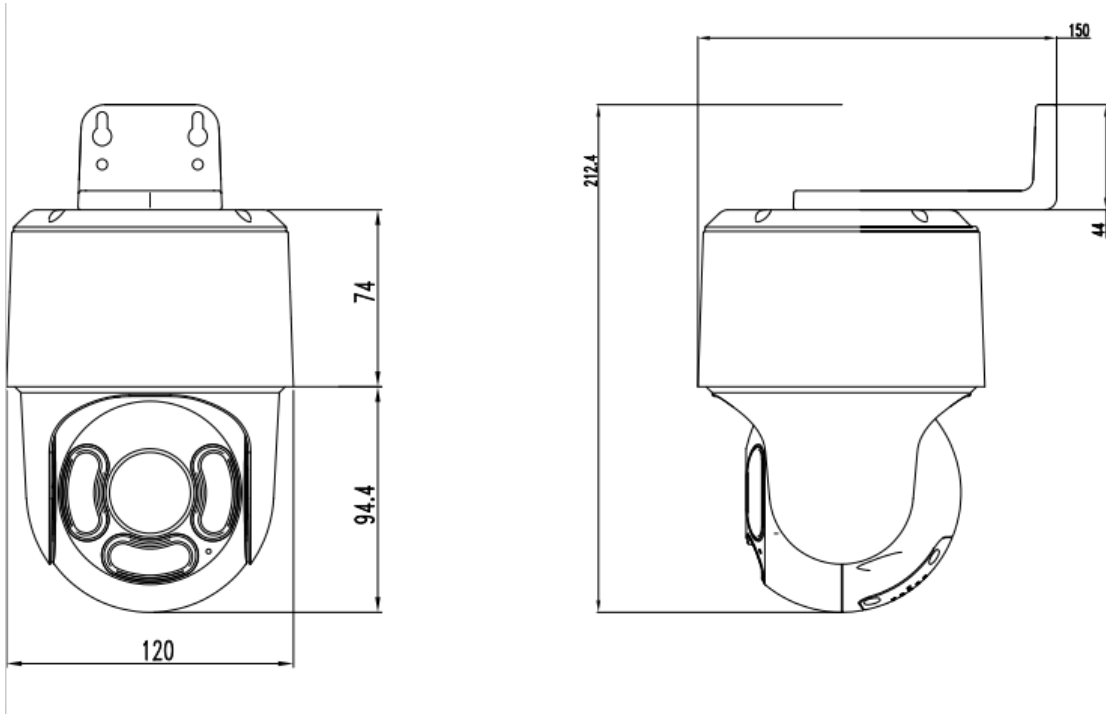


Key Features

<ul style="list-style-type: none">▶ 5.0MP Progressive Scan CMOS — 2592 x 1944 max resolution	<ul style="list-style-type: none">▶ 4G LTE (Cat-4) with 3G/2G Fallback — Band 28 compatible
<ul style="list-style-type: none">▶ 5X Optical Zoom, Auto Focus — 2.8–12mm focal length	<ul style="list-style-type: none">▶ AirLink Cloud Management Platform — Centralized remote management for large-scale deployment
<ul style="list-style-type: none">▶ True Day/Night with IR Cut Filter — IR distance 35M	<ul style="list-style-type: none">▶ FTP Event Upload & HTTPS API Event Push
<ul style="list-style-type: none">▶ 9x IR LEDs + 9x White LEDs▶ Red/Blue Strobe Alarm — Active deterrence with flashing red/blue warning lights triggered on human detection	<ul style="list-style-type: none">▶ Manual DNS Configuration — M2M SIM network compatible▶ Full Web-Based Remote Access — Camera parameter setup via browser
<ul style="list-style-type: none">▶ Audio Alarm with MP3 Playback — Configurable voice warnings & siren	<ul style="list-style-type: none">▶ H.265/H.264 Main Profile — Dual stream encoding
<ul style="list-style-type: none">▶ IO Input / Output — External sensor integration and alarm relay output	<ul style="list-style-type: none">▶ TF Card Slot — Up to 512GB local storage
<ul style="list-style-type: none">▶ Human Detection Bounding Box — Visible on-screen during alarm activation	<ul style="list-style-type: none">▶ Two-Way Audio — G.711
<ul style="list-style-type: none">▶ AI Detection: Humanoid & Vehicle Detection	<ul style="list-style-type: none">▶ ONVIF Compatible
<ul style="list-style-type: none">▶ 3D Intelligent Positioning — Click-to-center, drag-to-zoom	<ul style="list-style-type: none">▶ Waterproof Metal + Plastic Housing

Camera	
Model	ASP215-5.0MP
Image Sensor	5.0MP Progressive Scan CMOS, 1/2.8" CMOS
Chipset	MStar SSC337D + Sony IMX335
Min. Illumination	Color: 0.01 Lux @ F1.6, AGC ON B/W: 0.001 Lux @ F1.6, AGC ON
Day & Night	Day / Night / External Control (IR Cut Filter)
IR LEDs	7x IR LEDs or 7x White LEDs + 1 Blue LED +1 Red LED, IR Distance 35M
WDR	Digital WDR ≥ 100dB
S/N Ratio	≥ 50dB (AGC OFF)
AGC	Auto / Manual
White Balance	Auto / Manual / ATW / Indoor / Outdoor / Daylight / Sodium Lamp
Noise Reduction	3D DNR
Exposure Mode	Auto / Manual / Shutter Mode (variable range)
Shutter Speed	1/2 ~ 1/20,000s
Lens & PTZ	
Focal Length	2.8–12mm, 5X Optical Zoom
Aperture Range	F1.7 ~ F3.0
Angle of View	113.9° (Wide) / 34.1° (Tele)
Zoom Speed	Approx. 3s (Wide to Tele)
Pan / Tilt	Horizontal 355° / Vertical 90°
3D Positioning	Click centering, Zoom by mouse dragging
Video & Audio	
Max Resolution	2592 × 1944
Frame Rate	2592×1944 @ 25fps 2560×1440 @ 25fps 1080P/720P @ 25fps
Video Compression	H.265 / H.264 Main Profile
Streams	Dual Stream (simultaneous)
Bitrate	CBR / VBR — 32Kbps ~ 10Mbps variable
Audio Compression	G.711
Two-Way Audio	Yes
OSD	Camera name, time display — position adjustable
AI Detection & Active Deterrence	
AI Detection	Humanoid Detection, Vehicle Detection, Motion Detection

Human Detection OSD	Bounding box overlay visible on-screen during alarm activation
Red/Blue Strobe Alarm	Police-style red/blue flashing light board — triggered on human detection event
Audio Alarm	Configurable siren + MP3 voice playback
Other Alarms	Shadow alarm, network cable disconnect, IP address conflict
Privacy Masking	4 programmable privacy zones
4G Connectivity & Remote Access	
Cellular	4G LTE Cat-4 with automatic 3G / 2G fallback
Band 28 Support	Yes (700 MHz — Airtel / Vi compatible)
M2M SIM DNS	Manual DNS configuration supported for M2M SIM networks
Web Access	Full browser-based remote management — configure all camera parameters remotely
AirLink Cloud Management Platform	
Cloud Architecture	Hybrid — event metadata to cloud, video stored on local SD card
Public IP Required	Yes
Remote Management	Centralized management for large-scale deployments (1–6,000+ cameras)
Event Alerts	HTTPS API push — real-time event notifications
FTP Upload	Event snapshots / video clips via FTP
Platform Access	Web dashboard — live view, event log, device configuration
Compatibility	AirLink cameras only — native integration, no third-party adapter required
Network & Protocols	
Protocols	TCP/IP, HTTP, HTTPS, NTP, IGMP, DHCP, UDP, SMTP, RTP, RTSP, ARP, DDNS, DNS, ONVIF, RTMP
API / CGI	Standard API & CGI — easy third-party integration
ONVIF	Supported
General	
Power Supply	DC 12V 2A
Storage	TF Card Slot — up to 512GB
Working Temperature	-30°C ~ 60°C, Humidity ≤ 90% RH
Enclosure	Waterproof Metal + Plastic
Package Size	23 × 21 × 14 cm



AirLink iLife Inc. | airlink-ilife.com | Specifications subject to change without notice.